

WB-RM500

WALL MOUNTING BRACKET



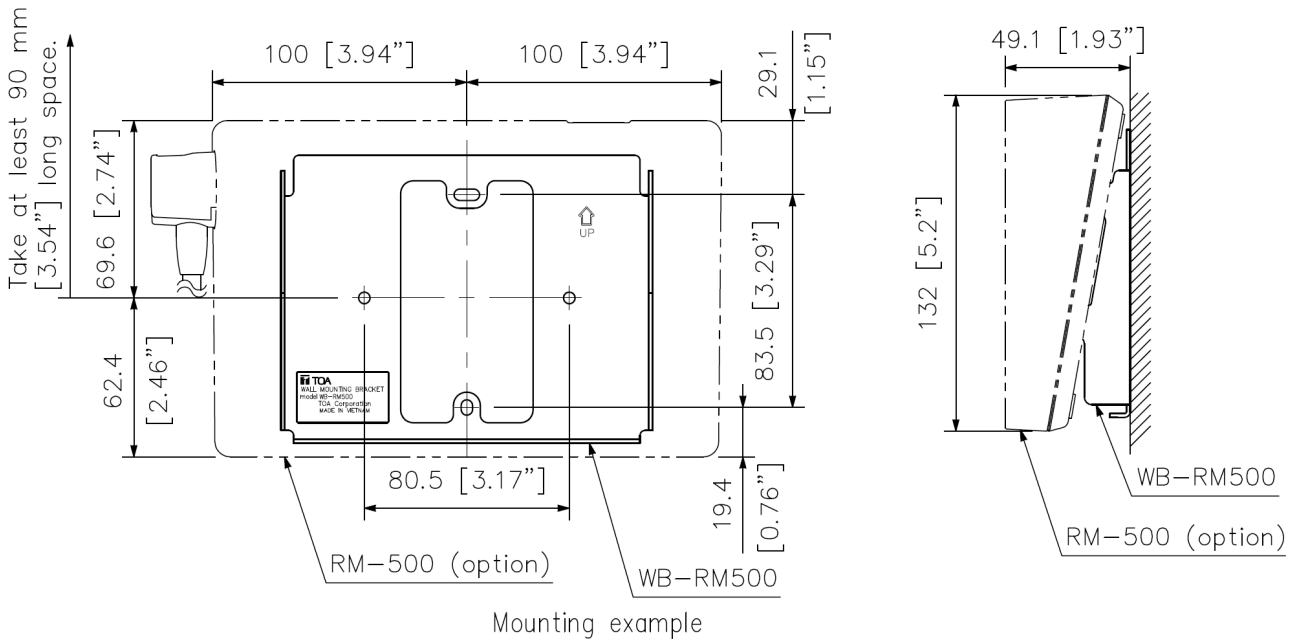
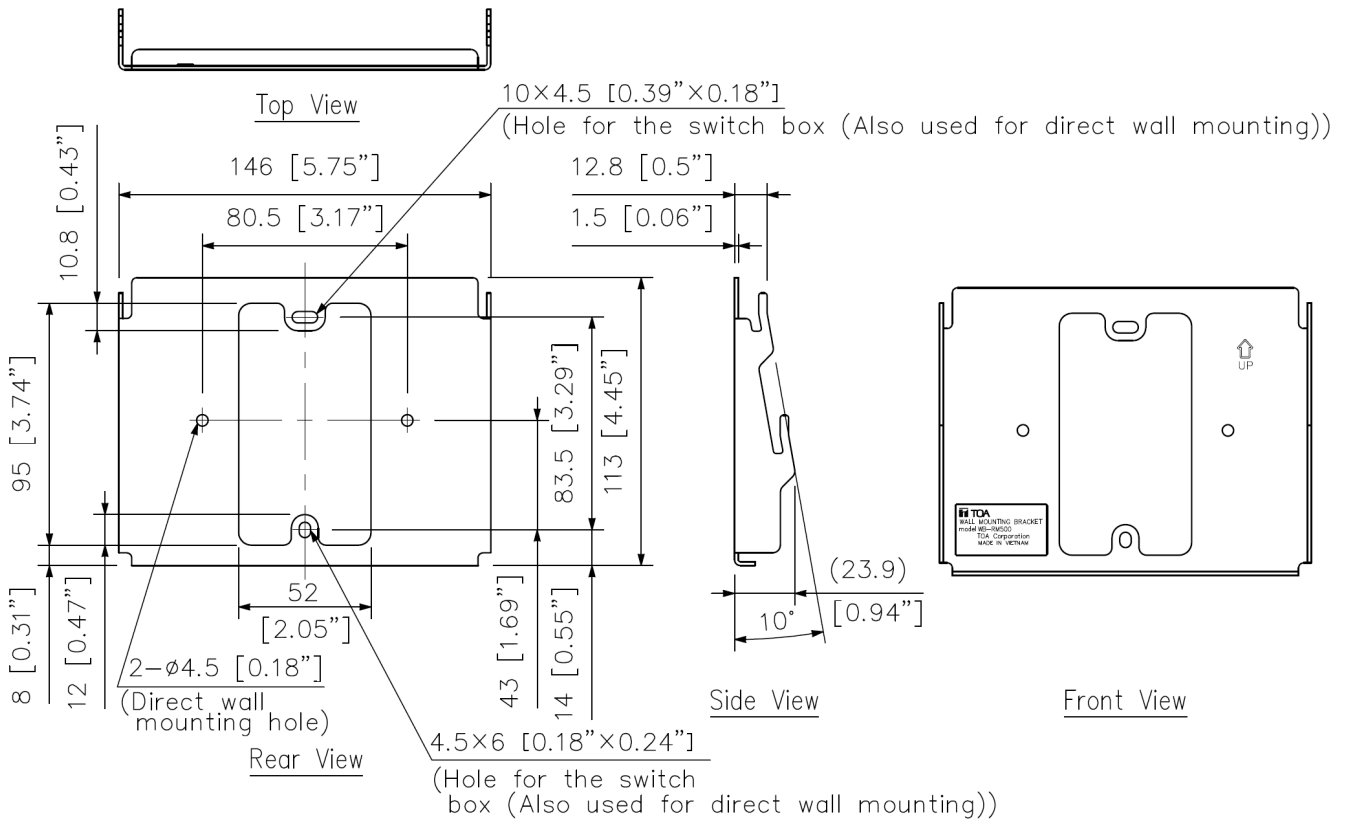
The WB-RM500 is to mount TOA's remote microphone on the wall.

Key features

Specifications

Finish	Stainless steel
Dimensions	146 (W) x 113 (H) x 23.9 (D) mm (5.75" x 4.45" x 0.94")
Weight	170 g (0.37 lb)
Included Accessories	Tapping screw (for direct wall mounting) x 2 Machine screw (for mounting to the switch box) x 2
Use with	RM-500

Dimensions



UNIT:mm

Note: Numerical values in parentheses are for reference only.

A&E specifications

The wall-mounting bracket offers the opportunity to wall mount the TOA RM-500 remote microphone. The bracket shall be manufactured in stainless steel weighing 170 g (0.37 lbs.) and its dimensions shall be 146 (w) x 113 (h) x 23.9 (d) mm (5.75" x 4.45" x 0.94"). The bracket shall come complete with two 4 x 25 tapping screws (for direct wall mounting) and two M4 x 20 machine screws (for mounting directly to a back box). Manufacturer: TOA Corporation Model: WB-RM500