

NF-CS1

EXPANSION SET



The NF-CS1 Expansion Set is designed exclusively for use with the NF-2S Window Intercom System, and consists of a System Expansion Sub-Unit and a Distributor for sound distribution. The NF-CS1 is designed for use in conjunction with the NF-2S, allowing the expansion of the coverage area for assisted conversations, even in compact meeting spaces with limited numbers of people and partitions installed.

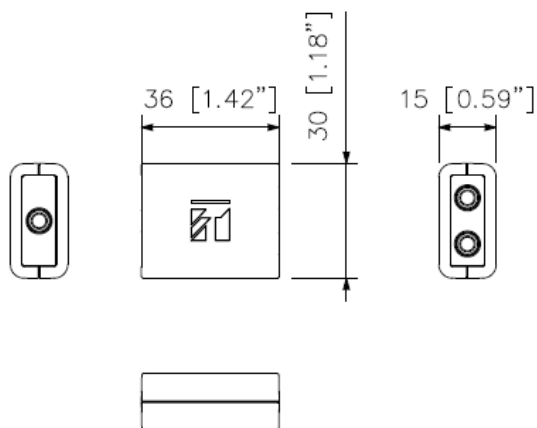
Key features

Specifications

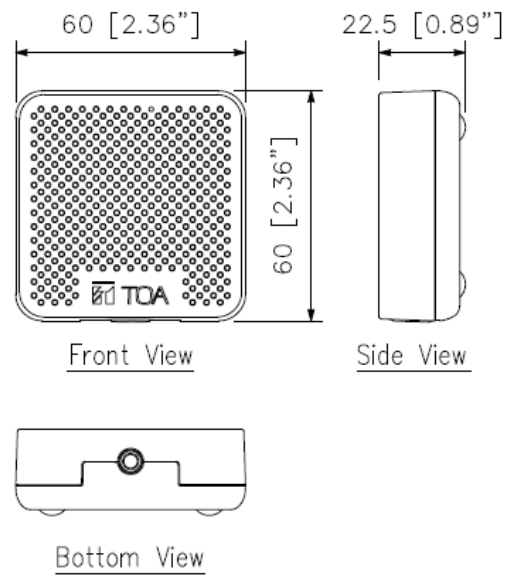
Input/Output	3.5 mm mini jack (4P)
Operating Temperature	0 °C to + 40 °C (32 °F to 104 °F)
Operating Humidity	85 %RH or less (no condensation)
Finish	Distributor: Case, Panel: ABS resin, white, paint Sub-Unit: ABS resin, white, paint
Dimensions	Distributor: 36 (W) x 30 (H) x 15 (D) mm (1.42" x 1.18" x 0.59") Sub-Unit: 60 (W) x 60 (H) x 22.5 (D) mm (2.36" x 2.36" x 0.89")
Weight	Distributor: 12 g (0.42 oz) Sub-Unit: 65 g (0.14 lb)
Included Accessories	Dedicated cable (4 pins, 2 m or 6.56 ft) x 2, Metal plate x 1, Mounting base x 4, Zip tie x 4
Optional Accessories	5M extension cable: YR-NF5S

Dimensions

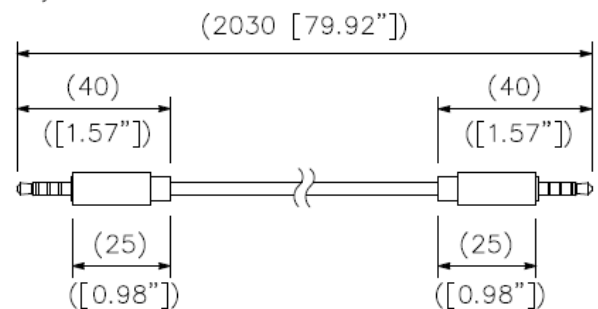
Distributor



Sub-Unit



Dedicated cable
(Accessory)



UNIT:mm

Note: Numerical values in parentheses are for reference only.