

BS-P678IP1

IP POWERED WALL MOUNT SPEAKER



The BS-678IP1, which cabinet is made of wood, can be installed in a vertical or horizontal orientation. Either concealed in-wall wiring or exposed wiring can be used for speaker cable connection. The speaker structure that permits direct wall-mounting with screws prevents the speaker from falling easily even if an outward force is applied to. Two built-in 6 inch double cone IP speaker units deliver high quality sound.

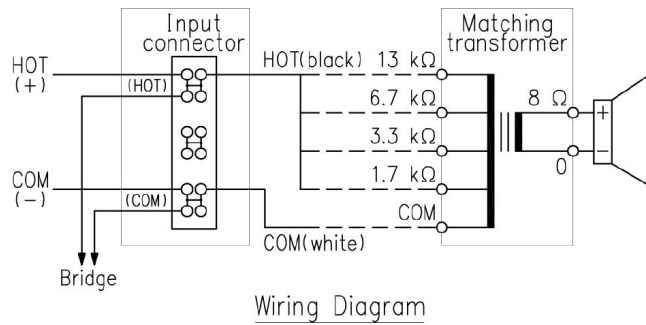
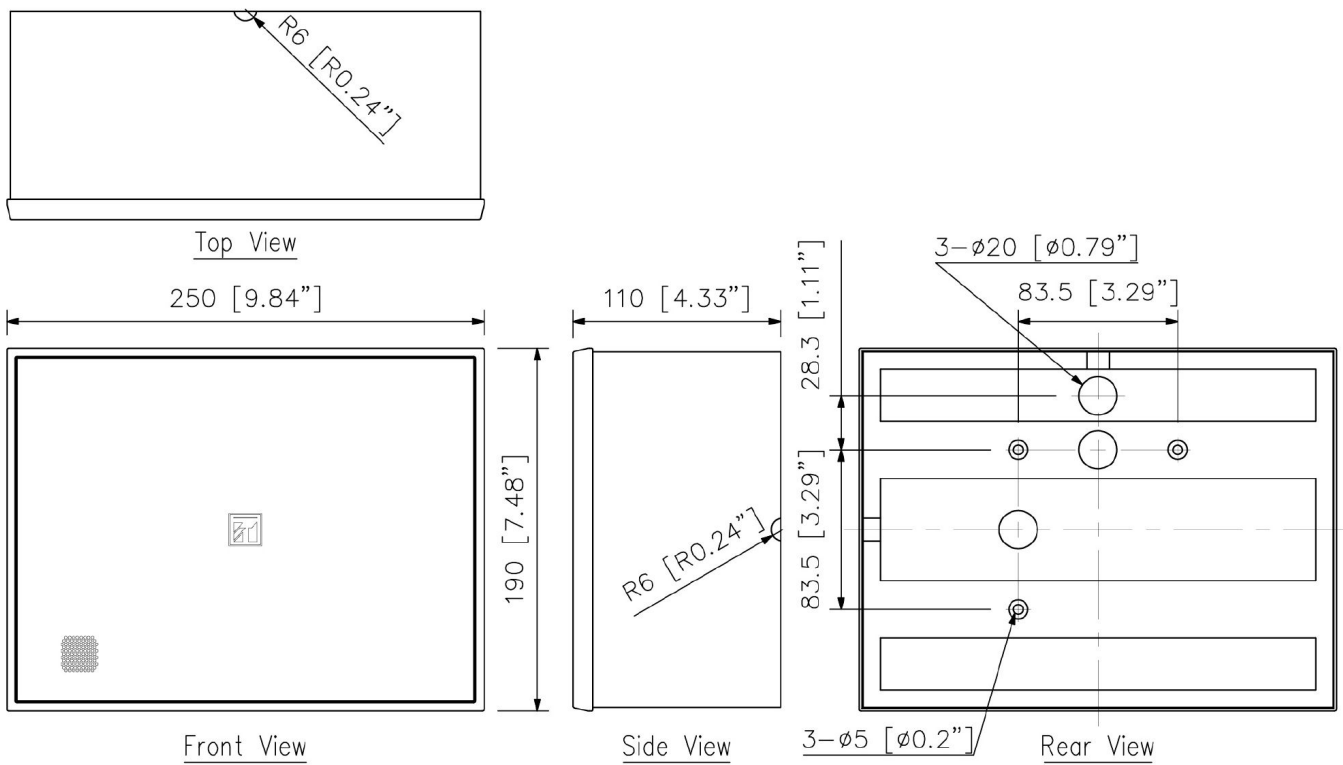
Key features

- #Can override and incorporate with local PA system without affect the central broadcast
- #Local line input of IP powered speaker allow the speaker to broadcast messages from both network and local input with different priorities, ideal for classroom application.
- #With built-in amplifier, allow the speaker to chain with one more ordinary speaker to provide larger coverage.
- #Allow easy system expansion without difficult wiring and installation work.

Specifications

Power Source	DC 24V / 1A
Power Consumption	1.85W (Static Power)
Sensitivity	94 dB
Frequency Response	150Hz - 20kHz
Network I/F	10 BASE-T/100BASE-TX, Auto negotiation
Network Protocol	UDP, ARP, HTTP, ICMP, IGMP
Operating Temperature	-20°C~+40°C
Finish	Cabinet: Particle board, off-white Grille: Surface-treated steel plate net, off-white
Dimensions	250 (W) × 190 (H) × 110 (D) mm
Included Accessories	Speaker mounting screw M4*35 x2, 2P terminal blocks x2

Dimensions



UNIT:mm SCALE:1/4