

## BS-P678E

### WALL MOUNT SPEAKER



The BS-678E, of which cabinet is made of wood, can be installed in a vertical or horizontal orientation. Either concealed in-wall wiring or exposed wiring can be used for speaker cable connection. The speaker structure that permits direct wall-mounting with screws prevents the speaker from falling easily even if an outward force is applied to. Two built-in 6 inch double cone speaker units deliver high quality sound.

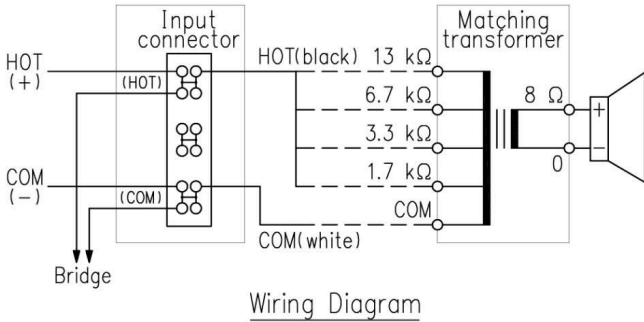
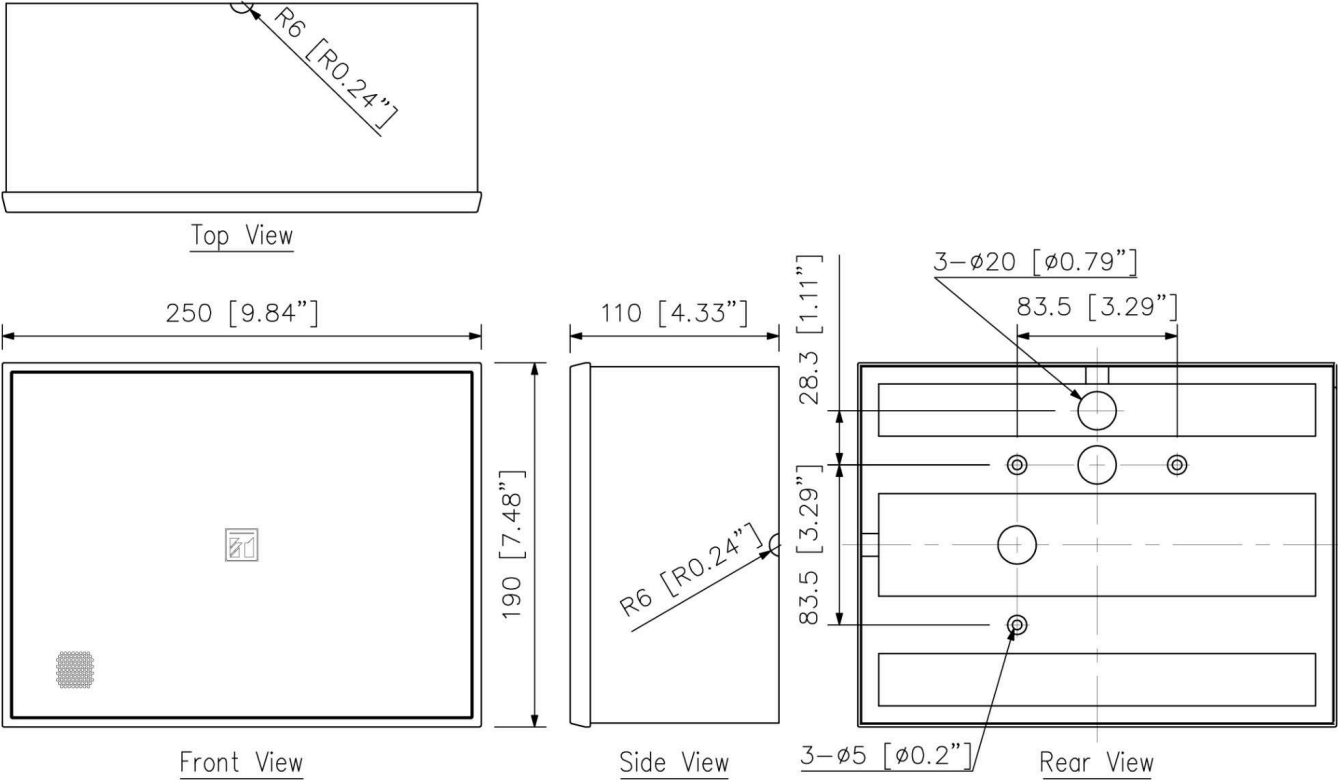
### Key features

\*UNDEFINED TEXT\*

# Specifications

Sensitivity	94 dB
Frequency Response	150Hz - 20kHz
Operating Temperature	-20°C to +40°C
Finish	Cabinet: Particle board, off-white Grille: Surface-treated steel plate net, off-white
Dimensions	250 (W) × 190 (H) × 110 (D) mm
Included Accessories	Screw M4x35 (2pcs)

# Dimensions



UNIT: mm SCALE: 1/4